

Sieyuan[®]思源电气



Sieyuan[®] www.syec.com.cn

上海思源输配电工程有限公司

Shanghai Sieyuan Transmission & Distribution Engineering Co., Ltd.

营销电话: +86-21-61610936

Hotline: +86-21-61610936

公司邮箱: Sales@sieyuan.com

Mail: sales@sieyuan.com

版权归思源电气股份有限公司所有。未经书面许可，不得复制或进行任何形式的转载。本公司对资料内容保留解释及更新的权利，不另行通知。
Copyright SIEYUAN. All rights reserved. We hold right to change designs, dimensions and data without prior notice.

上海思源输配电工程有限公司

Shanghai Sieyuan Transmission & Distribution Engineering Co., Ltd.

集团简介

About Sieyuan Group

我们的使命：使电能的传输与分配更安全、更可控、更高效！

Our Mission: Make electric power transmission and distribution more safe, more controllable and more efficient!

集团简介

思源电气股份有限公司源于1967年，是国际知名的专业从事输配电设备及技术的研发、制造和工程服务的上市公司（股票代码：002028）。目前公司拥有八家全资控股子公司，产品线覆盖一次及二次等多个领域，公司主导产品及核心技术在世界上处于先进水平。

Profile

Sieyuan Electric Co., Ltd. originated from 1967, it is a well-known company in China (Stock Code: 002028) which has been devoting in electric power technology research, T&D equipment manufacturing and engineering services. So far, there are eight subsidiaries wholly owned by Sieyuan which occupied a wide product range covering various specialized fields of T&D technology including both of the primary and the secondary equipments. The main products and core technology have been reaching the leading advanced level in the world.

组织架构 Construction

Sieyuan® 思源电气
Sieyuan Electric Co., Ltd.

Sieyuan

思源电气股份有限公司第一分公司

Sieyuan Electric No.1 Subsidiary Company

上海思源高压开关有限公司

Shanghai Sieyuan High Voltage Switchgear Co., Ltd.

江苏省如高高压电器有限公司

Jiangsu Rugao High Voltage Electric Apparatus Co., Ltd.

江苏思源赫兹互感器有限公司

Jiangsu Sieyuan Hertz Instrument Transformer Co., Ltd.

上海思源电力电容器有限公司

Shanghai Sieyuan Power Capacitor Co., Ltd.

思源清能电气电子有限公司

Sieyuan Qingneng Power Electronic Co., Ltd.

上海思源弘瑞自动化有限公司

Shanghai Sieyuan Hongrui Automation Co., Ltd.

上海思源输配电工程有限公司

Shanghai Sieyuan Transmission & Distribution Engineering Co., Ltd.

公司分布 Layout



上海思源输配电工程有限公司

Shanghai Siyuan Transmission & Distribution Engineering Co., Ltd.

思源电气全球化的窗口
A Window of Siyuan on Its Way to Globalization.

业务范围 Business Scope

全球化愿景 Globalization

视野全球化

Global Perspective



人才全球化

International Talents



运营全球化

Multinational Operations



客户全球化

Worldwide Customers



各类输变电设备的供货, 包括一次设备和二次控制保护

Supplier of Electrical T&D Equipments

- 550kV及以下SF6断路器、隔离开关、互感器 Up to 550kV SF6 Circuit Breaker, CT/PT/CVT, Disconnecter
- 550kV及以下GIS Up to 550kV GIS
- 66kV及以下油浸、干式接地变 Up to 66kV Oil Immersed Type, Dry Type Earthing Transformer
- 66kV及以下消弧接地成套装置 Up to 66kV Arc Suppression Coil (Peterson Coil) With Automatic Fault-line Selection System
- 66kV及以下油浸、干式电抗器 Up to 66kV Oil Immersed Type, Dry Type Shunt Reactor/Serial Reactor
- 1000kV及以下电力电容器成套装置 Up to 1000KV Power Capacitor Complete Installation
- 变压器油色谱在线监测系统 On-line DGA Equipments for Power Transformer
- 变频串联谐振耐压试验装置 Variety Frequency Serial Resonant High Voltage Testing Equipment
- 动态无功补偿、有源滤波装置 Active Power Filter, Static Var Generator
- 继电保护及数字化变电站设备 Relay Protection and Automation with Digital Electric Technology
- 550kV 1000MVA 及以下电力变压器 Up to 550kV 1000MVA Power Transformer



输配电工程总承包

Electrical Project Contractor for Design, Manufacture, Supply, Delivery, Installation, Testing and Commission of T&D Equipment



变电站设计及成套解决方案

Electrical Solution

成功源于专业

Success Comes From Professionalism



体系认证 System Certification



3000kV雷电冲击发生器
3000kV lightning impulse high voltage
withstand testing equipment



1000kV工频试验变压器
1000kV power frequency high voltage
withstand testing equipment



OHSAS18001:2007



ISO14001:2004



ISO9001:2008

产品认证 Product Certification

思源公司所生产的产品均通过国际或国内权威检测机构的认证。
We guarantee that all Sieyuan products have passed the
international or national authority organization certification.



Main Product Introduction

产品介绍



Gas Insulated Switchgear ZF Series

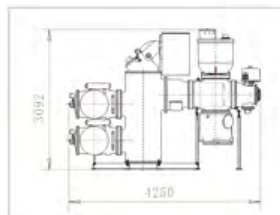
气体绝缘全封闭组合电器 ZF 系列

Customer Benefits

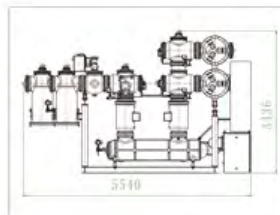
客户价值

- Flexibility
- 配置灵活
- Space saving, high compactness
- 结构紧凑
- Increased safety and reliability
- 性能可靠
- Modularity and adaptability
- 标准模块
- Easier operation
- 操作简便

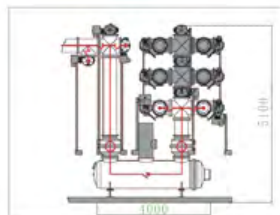
ZF28-145 GIS



ZF28-252 GIS



ZF28-550GIS

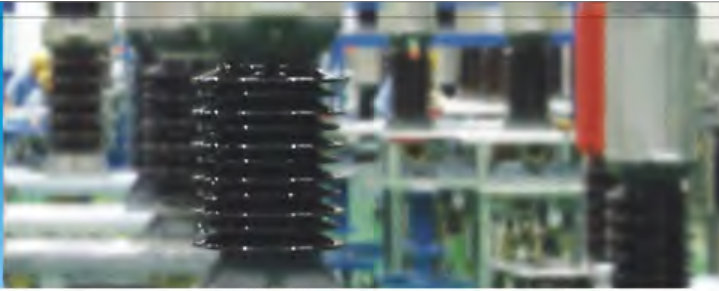


技术参数 Technical Specification

1	额定电压 Rated voltage		kV	145	252	550	
2	额定频率 Rated frequency		Hz	50/60	50/60	50/60	
3	额定电流 Rated current		A	3150	4000	6300	
4	额定短路开断电流 Rated short-circuit breaking current		kA	40	50	63	
5	额定短时耐受电流(有效值) Rated short-time withstand current (r.m.s)		kA	40	50	63	
6	额定短路持续时间 Rated duration withstand current		s	4	3	3	
7	额定峰值耐受电流 Rated peak withstand current		kA	100	125	171	
8	额定短时工频耐受电压 (1min, 有效值) Rated short-duration power-frequency withstand voltage(1 min r.m.s)	对地 Phase-to-earth	kV	275	460	740	
		断口 Across the insulating distance	kV	275+84	460+145	740+315	
9	额定雷电冲击耐受电压(峰值) Rated lightning impulse withstand voltage (peak)	对地 Phase-to-earth	kV	650	1050	1675	
		断口 Across the insulating distance	kV	650+118	1050+206	1675+450	
10	SF ₆ 气体压力(20℃) SF ₆ gas pressure at 20℃	断路器 Circuit breaker	额定压力 Rated pressure	MPa	0.58	0.62	0.62
			报警压力 Alarm pressure	MPa	0.53	0.58	0.58
			闭锁压力 Lockout pressure	MPa	0.50	0.53	0.53
		其它 Other	额定压力 Rated pressure	MPa	0.58	0.58	0.58
			一级报警 First alarm pressure	MPa	0.53	0.53	0.53
二级报警 Second alarm pressure	MPa	0.50	0.50	0.50			
11	局部放电(80%工频耐受电压下) Partial discharge at 80% power-frequency withstand voltage	整间隔 Total bay	pC	5	5	5	
		绝缘件 insulator	pC	3	3	3	
12	额定短路电流关合次数(FES) The times of Rated short-circuit making current(FES)		次 Times	2	2	2	
13	机械寿命 Mechanical endurance	断路器 Circuit breaker	次 Times	10000	10000	10000	
		DES/FES	次 Times	5000	5000	5000	
14	气室内的 SF ₆ 气体水份含量 Moisture content of SF ₆ gas	断路器 Circuit breaker compartment	交接验收值 Commissioning	# L/L	150	150	150
			运行中 Operation	# L/L	≤250	≤250	≤250
		其它 Other compartments	交接验收值 Commissioning	# L/L	≤300	≤300	≤300
			运行中 Operation	# L/L	≤500	≤500	≤500
15	SF ₆ 气体年漏气率 Leakage rate of SF ₆ gas per year			≤0.3%	≤0.3%	≤0.3%	

Main Product Introduction

产品介绍



Circuit Breaker

断路器



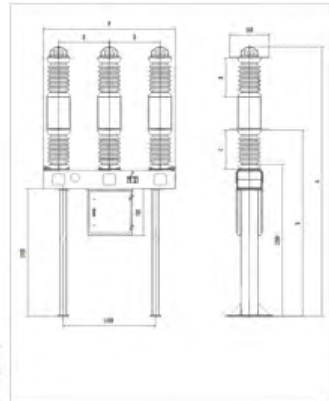
Technical Specification 技术参数	
Installation 安装方式	Outdoor 户内或户外
Inside insulation 内部绝缘介质	SF6 or Vacuum SF6或真空
Rated voltage 额定电压	40.5-252kV
Rated current 额定电流	Up to 4000A 最大4000A
Rated short-circuit breaking current 额定短路开断电流	Up to 50kA 最大50kA
Rated short-circuit making current (Peak) 额定短路关合电流	Up to 125kA 最大125kA
Rated duration of short circuit 短时耐受时间	4s(252kV, 3s)
Outside insulation 外部绝缘	Porcelain 瓷套绝缘
Creepage distance 爬电距离	31mm/kV
Ambient temperature 环境温度	-40℃ to +50℃ (Others on request)
Design altitude 海拔高度	3000m(Others on request)
Type of operation 操作方式	single- or three- pole spring operating mechanism 单相或三相弹簧操作机构
Rated operating sequence 额定操作循环	O-0.3s-CO-3min-CO

Customer Benefits

客户价值

- High performance
- Compatible mechanism
- Reduced life-time costs
- Maintenance-free
- 性能优异
- 结构紧凑
- 运行成本低
- 免维护

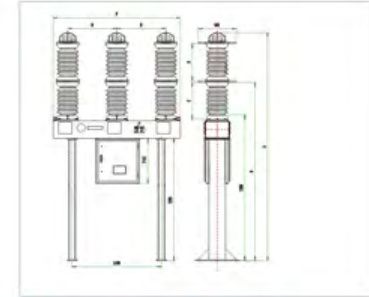
LW36-40.5(with CT inside)SF6 Gas Circuit Breaker



Model	A	B	C	D	E	F	weight(kg)
LW36-40.5 with CT inside	4073	580	580	2810	770	2000	1050

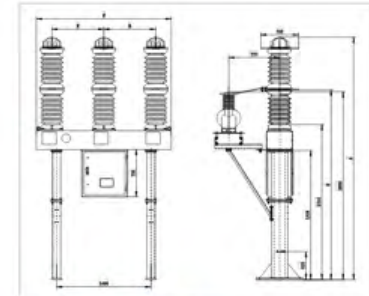
LW36-40.5 (without CT) SF6 Gas Circuit Breaker

Model	A	B	C	D	E	F	G
LW36-40.5 (without CT)	3590	580	580	2810	770	2000	800



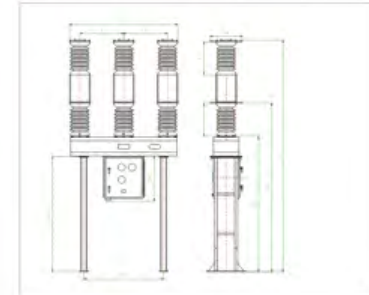
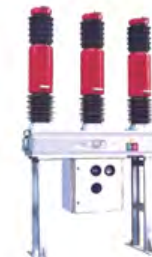
LW36-40.5 (with CT outside) SF6 Gas Circuit Breaker

Model	A	B	C	D	E	F	G
LW36-40.5 (with CT outside)	3604	580	580	2824	770	2000	1150



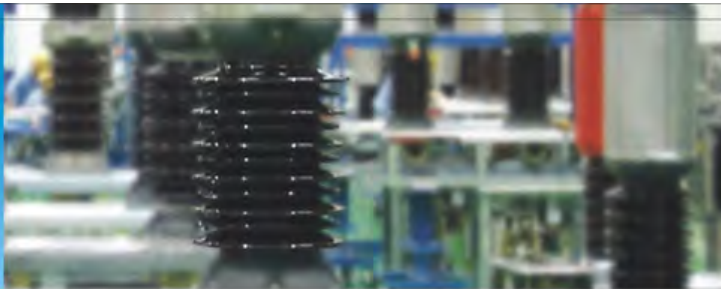
ZW39-40.5 (with CT inside) Vacuum Circuit Breaker

Model	A	B	C	D	E	F	G
ZW39-40.5 (with CT inside)	4086	580	580	2972	770	1900	1000



Main Product Introduction

产品介绍

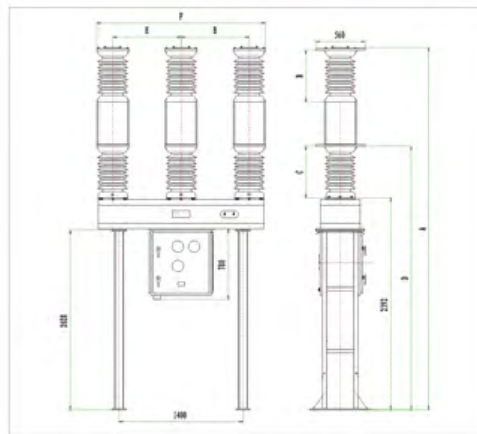


Circuit Breaker

断路器

ZW39-40.5(without CT)
Vacuum Circuit Breaker

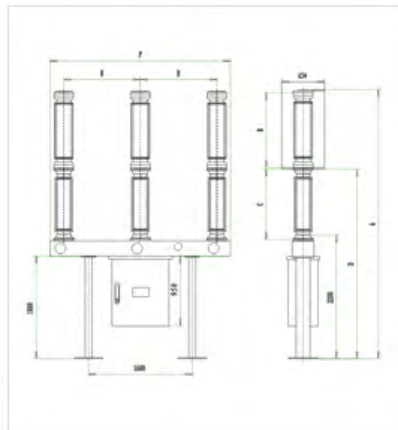
Model	A	B	C	D	E	F	Weight _{kg}
ZW39-40.5 without CT	3546	560	560	2952	770	1775	800



LW36-72.5 SF6 Gas Circuit Breaker

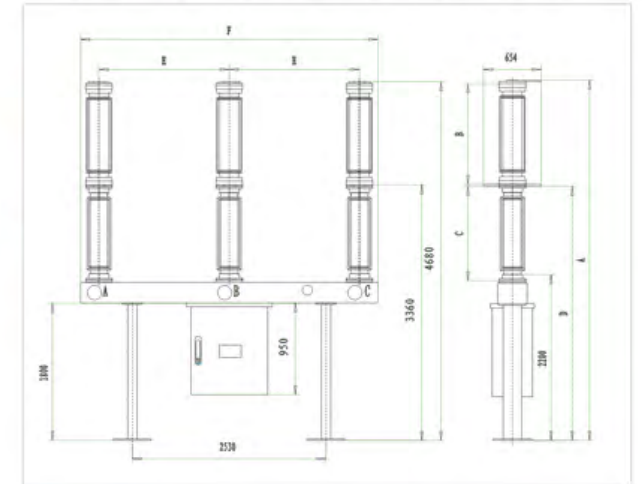


Model	A	B	C	D	E	F	Weight _{kg}
LW36-72.5	4500	1080	1000	3421	1200	2880	1300



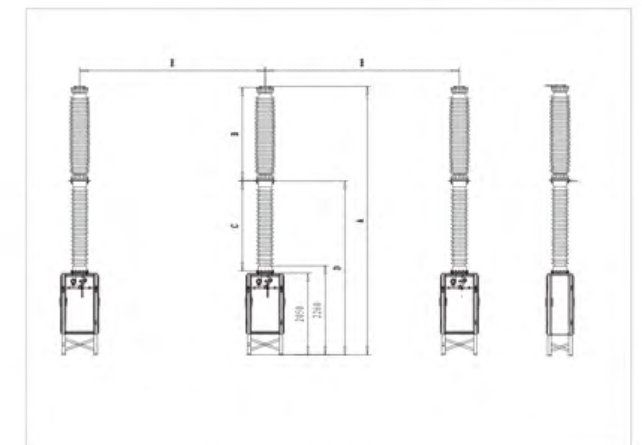
LW36-126/145 SF6 Gas Circuit Breaker

Model	A	B	C	D	E	F	Weight _{kg}
LW36-126	4980	1300	1220	3660	1700	3880	1780
LW36-145	5350	1470	1420	3660	1700	3880	1780



LW58-252 SF6 Gas Circuit Breaker

Model	A	B	C	D	E	F	Weight _{kg}
LW58-252	6955	2500	2280	4450	3000-4000		4500



Main Product Introduction

产品介绍

Disconnecter

隔离开关



Technical Specification 技术参数	
Installation 安装方式	Outdoor/ Indoor 户外或户内
Rated voltage 额定电压	40.5-550kV
Rated current 额定电流	Up to 5000A
Rated Short-circuit current 额定短路电流	Up to 53kA/3s
Outside Insulation 外绝缘	Porcelain or Composite silicon rubber 瓷套绝缘或复合硅橡胶
Creepage distance 爬电比距	≥25mm/kV or ≥31 mm/kV (Longer on request)
Ambient temperature 环境温度	-50°C to +50°C (Other on request)
Design altitude 海拔高度	2000m (Others on request)

Customer Benefits

客户价值

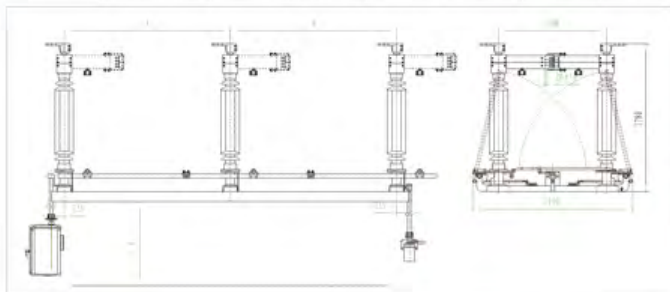
- Proven reliability
- 性能可靠
- Compact design
- 结构紧凑
- Built-in earth switches and arc restrictors available
- 配置灵活
- Easy maintenance
- 维护简便

Two-Column Center Break Disconnecter GW4 Series

双柱水平开断旋转式单断口隔离开关 GW4系列



Model	A	B	D	G	H	Weight(kg)
GW4A-40.5	640	860	1045	1200	2500	350
GW4A-72.5	880	1400	1520	1600	2500	800
GW4A-126	1300	1780	1950	2000	2500	850
GW4A-145	1650	2060	2300	2500	2500	1000
GW4C-252	2500/2650	2855 ± 10	3320/3470	4000	2500	1260

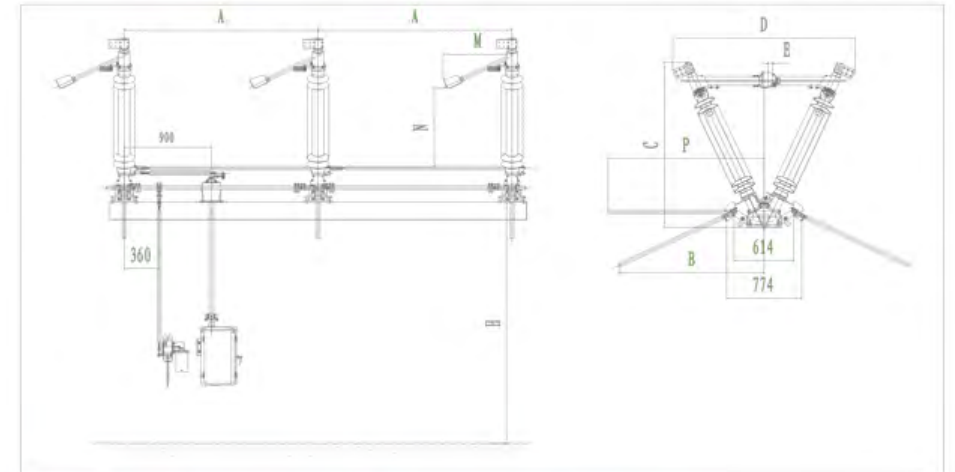


V-Type Horizontal Rotary Single Opening Disconnecter GW5 Series

水平开断V型旋转式单断口隔离开关GW5系列



Model	A	B	D	G	H	Weight(kg)
GW5A-40.5	1370	1130	970	≥1200	2500	400
GW5A-72.5(25mm/kV)	1520	1320	1180	≥1600	2500	660
GW5A-72.5(31mm/kV)	1620	1420	1290	≥1600	2500	660
GW5A-126	1900	1720	1610	≥2000	2500	1000

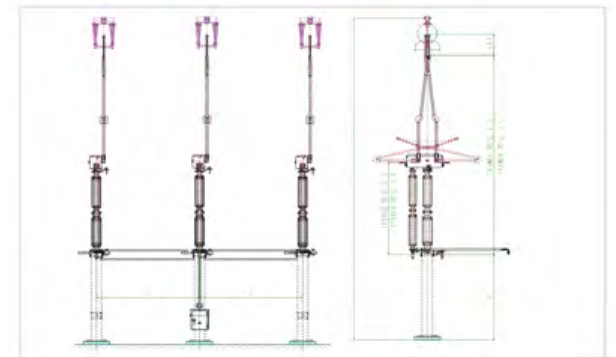


Vertical Break Scissors Type Disconnecter GW6 Series

垂直开断铰接式隔离开关GW6系列



Model	A	B	C	G	H	Weight(kg)
GW6B-126	1595	3790	550-850	2000	2500	1050
GW6B-252	2695(2.5) 2795(3.1)	5830(2.5) 5930(3.1)	650- 1500	3180	2500	1800



Main Product Introduction

产品介绍



Disconnecter

隔离开关

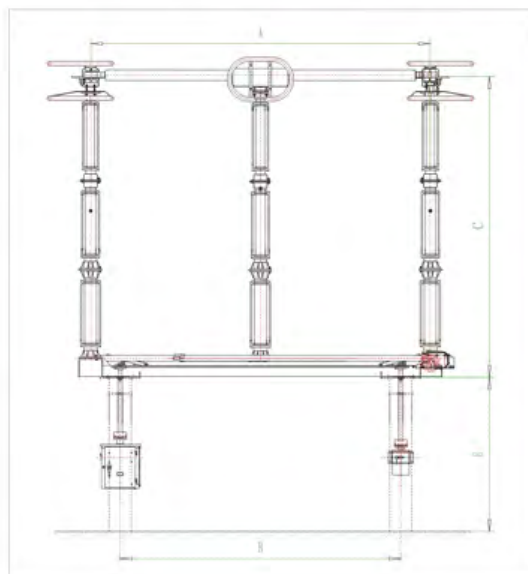
Three-Colum Double Side-Break Disconnecter GW 7 Series

三柱水平开断旋转式双断口隔离开关 GW 7系列



(Unit:mm)

Model	A	B	C	D	H	Weight(kg)
GW7B-72.5	1290	1345		2020	2500	600
GW7B-145	1800	1980 ± 20	1800	2330	2500	1300
GW7B-252	3200	2775(2.5) 2875(3.1)	2800	3700	2500	1890
GW7B-363	4600	4065 ± 20	3800	4960 ± 3	Min2700	4200



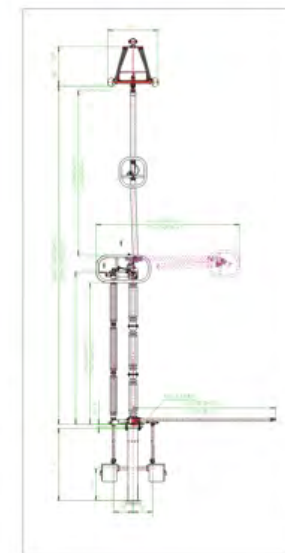
Vertical Break Type Disconnecter GW22 Series

垂直开断隔离开关GW22系列



(Unit:mm)

Model	A	B	C	D	H	Weight(kg)
GW22B-126	1546	3690	550-1100	1100	2500	1140
GW22B-252	2625(2.5) 2725(3.1)	5830(2.5) 5930(3.1)	550-1500	1700	2500	1800
GW22B-363	3915 ± 20	8280 ± 20	600-1100	2520 ± 20	2700	3960
GW22B-550	4715 ± 20	10480 ± 20	600-1100	4195 ± 20	3500	4560



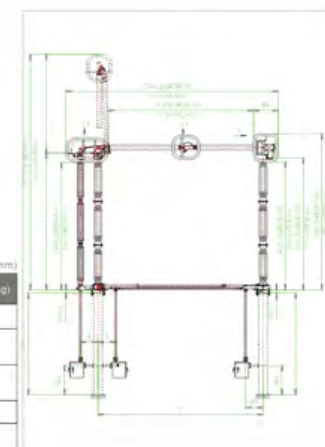
Horizontal Break Type Disconnecter GW23 Series

水平开断隔离开关GW23系列



(Unit:mm)

Model	A	B	C	H	Weight(kg)
GW23B-126	1555	1920	1078	2500	1410
GW23B-252 (1250-3150A)	2580(2.5) 2680(3.1)	3000	1670(2.5) 1770(3.1)	2500	1950
GW23B-252 (4000A)	2690(2.5) 2790(3.1)	3250	1665(2.5) 1770(3.1)	2500	1950
GW23B-363	3915 ± 20	4125	3200	2700	5550
GW23B-550	4715 ±	5625	4000	3500	6150





Disconnecter

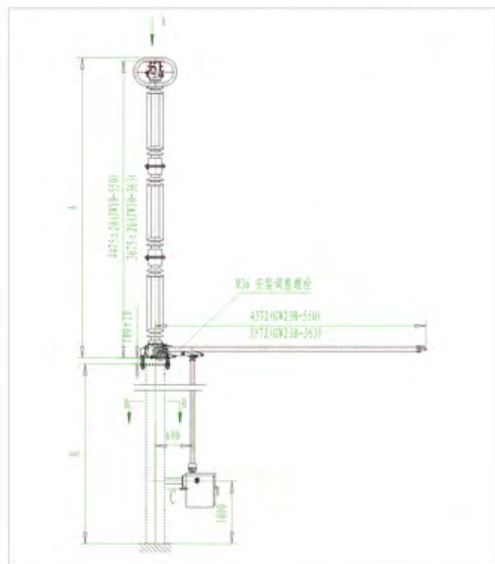
隔离开关

Single Throw Earthing Switch JW10 Series

单掷式接地开关 JW10系列



Model	A	C	H	Weight(kg)
JW10-126	1456	1180	2500	450
JW10-145	1658	1410	2500	500
JW10-252	2560	2386	2500	700
JW10-363	4030	3572	2700	1950
JW10-550	4830	4372	3500	2550

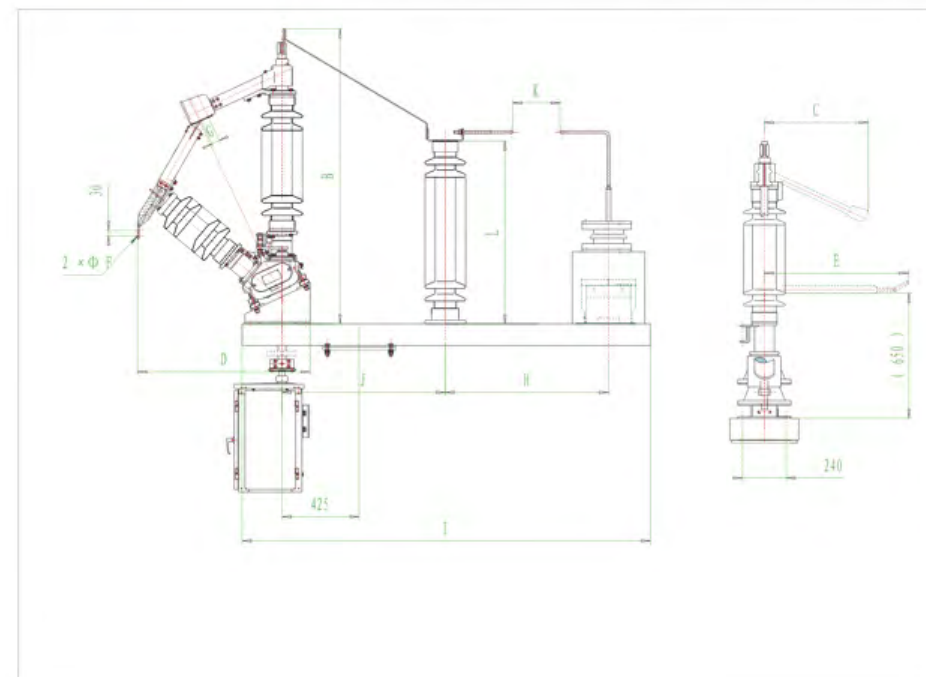


Neutral Point Earthing Equipment for Power Transformer

变压器中心点接地成套装置



Model	B	C	D	E	F	G	H	Weight(kg)
SR-JXB-110 25(31)mm/kV	1640(1750)	500(560)	875(900)	520(580)	11	45 ± 3	800	200
SR-JXB-220	2070	700	950	800	14	45 ± 3	1000	250



Main Product Introduction

产品介绍



Instrument Transformer

互感器

Customer Benefits

客户价值

- Extensive field experience including highly seismic regions
- High accuracy classes for application
- Mineral oil filled no PCB
- Operational security
- Long maintenance-free life
- 适用环境广
- 精度等级高
- 材料环保
- 运行安全
- 免维护

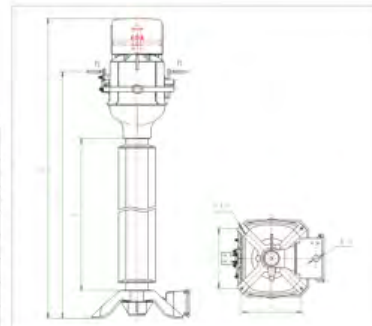
Oil Immersed Inverted Current Transformer LVB Series

油浸电流互感器 LVB系列



Technical Specification 主要参数	
Installation 安装方式	Outdoor 户外
Design 型号	Inverted 倒立
Inside installation 内部绝缘介质	Oil-paper 油纸绝缘
Highest voltage 最高工作电压	35-550kV
Primary current 一次电流	Up to 4000A 最大值4000A
Short circuit current 短路电流	Up to 63kA/3s 最大值63 kA/3s
Outside insulation 外部绝缘	Porcelain 瓷套
Creepage distance 爬电比距	≥25mm/kV (Longer on request)
Ambient temperature 环境温度	-50°C to +50°C (Others on request)
Design altitude 海拔高度	3000m (Others on request)

Model	H1	H2	H3	X*Y	Weight (kg)
LVB-35/2X	500	1475	1015-1250	475*475	170-315 Φ18-20
LVB-72.5	700	1685-1870	1225-1445	380*380	200-350 Φ18-20
LVB-123	1200	2230-2370	1790-1960	475*475	240-400 Φ20
LVB-145	1200	2230-2370	1790-1960	475*475	240-400 Φ20
LVB-245	2200	3650-3745	2955-3210	475*475	500-800 Φ24
LVB-363	3400	5065	4400	600*600	1200 Φ24
LVB-550	4000	6200	5220	650*650	Φ28

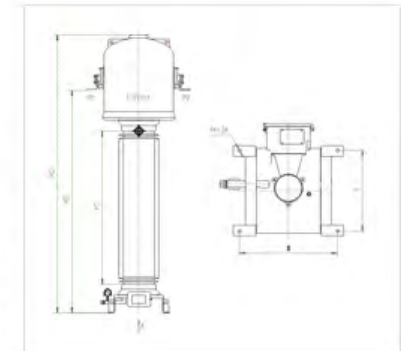


SF6 Insulated Inverted Current Transformer LVQB Series

SF6绝缘倒立式电流互感器 LVQB系列



Technical Specification 主要参数	
Installation 安装方式	Outdoor 户外
Design 型号	Inverted 倒立
Inside installation 内部绝缘介质	SF6
Highest voltage 最高工作电压	123-550kV
Primary current 一次电流	Up to 5000A 最大值 5000A
Short circuit current 短路电流	Up to 63kA/3s 最大值63kA/3s
Outside insulation 外部绝缘	Silicon rubber 硅橡胶
Creepage distance 爬电比距	≥25mm/kV (Longer on request)
Ambient temperature 环境温度	-30°C to +45°C (Others on request)
Design altitude 海拔高度	3000m (Others on request)



Model	H1	H2	H3	X*Y	Weight (kg)
LVQB-123	1180	2420	1898	475*547	350
LVQB-145	1100	3810	3140	475*475	800
LVQB-245	2250	3880	3170	600*600	900
LVQB-363	3300	5144	4305	660*660	1535
LVQB-550	4220	6455	5514	940*940	2000



Oil Insulation Inductive Voltage Transformer JDCF Series

油浸电磁式电压互感器 JDCF系列

Instrument Transformer

互感器

Oil Immersed Tank Type Current Transformer LB Series

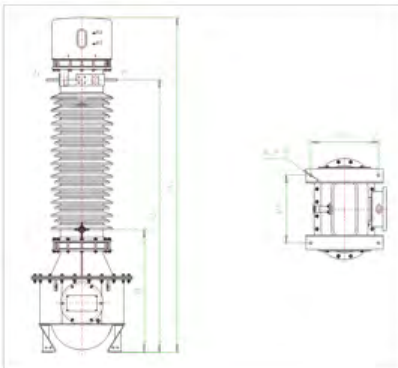
油浸正立式电流互感器LB系列



Technical Specification 主要参数	
Installation 安装方式	Outdoor 户外
Design 型号	Tank type 正立式
Inside installation 内部绝缘介质	Oil-paper 油纸绝缘
Highest voltage 最高工作电压	35-145kV
Primary current 一次电流	Up to 2000A 最大2000A
Short circuit current 短路电流	Up to 50kA/3 sec 最大50kA/3s
Outside insulation 外部绝缘	Porcelain 瓷套
Creepage distance 爬电比距	≥ 25mm/kV (Longer on request)
Ambient temperature 环境温度	-45°C to +45°C (Others on request)
Design altitude 海拔高度	3000m (Others on request)

(Unit: mm)

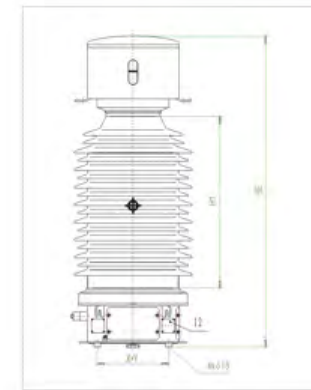
Model	H1	H2	H3	X*Y	Weight (kg)
LB-123/145	1000	2320-2660	1925-2210	475*475	500-690



Technical Specification 主要参数	
Installation 安装方式	Outdoor 户外
Design 型号	Tank type 正立式
Inside installation 内部绝缘介质	Oil-paper 油纸绝缘
Highest voltage 最高工作电压	35-145kV
Primary current 一次电流	Up to 2000A 最大2000A
Voltage factor (Vf) 电压系数	Up to 1.9/8 hrs 最大1.9/8 hrs
Outside insulation 外部绝缘	Porcelain 瓷套
Creepage distance 爬电比距	≥ 25mm/kV (Longer on request)
Ambient temperature 环境温度	-45°C to +45°C (Others on request)
Design altitude 海拔高度	2000m (Others on request)

(Unit: mm)

Model	H1	H2	H3	X*Y	Weight (kg)
JDCF123/145	900	1820-2080	1450-1710	2*Φ11	695



Main Product Introduction

产品介绍



Instrument Transformer

互感器

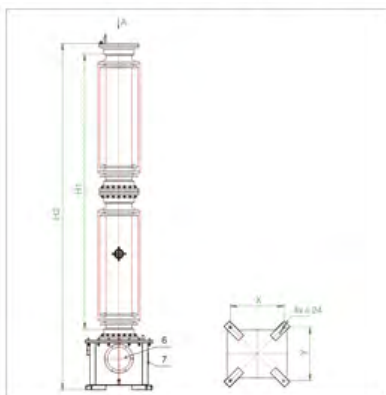
Capacitive Voltage Transformer TYD Series

电容式电压互感器TYD系列



Technical Specification 主要参数	
Installation 安装方式	Outdoor 户外
Design 型号	Capacitor 电容式
Inside insulation 内部绝缘介质	Oil-paper 油纸绝缘
Highest voltage 最高工作电压	123-245kV
Voltage factor (VI) 电压系数	Up to 1.9/8 hrs 最大1.9/8hrs
Outside insulation 外绝缘	Porcelain 瓷套
Creepage distance 爬电比距	≥25mm/kV (Longer on request)
Ambient temperature 环境温度	-40℃ to +40℃ (others on request)
Design altitude 海拔高度	2000m (others on request)

Model	H1	H2	H3	X*Y	Weight (kg)
TYD123-0.01	1100	1950-2050	1850-1950	530*530(4*Φ24)	520-570
TYD123-0.02	1100	2195-2165	2095-2065	530*530(4*Φ24)	520-750
TYD245-0.005	2400	3375-3475	3480	530*530(4*Φ24)	760-830
TYD245-0.01	2400	3565	4055	530*530(4*Φ24)	1035-1075



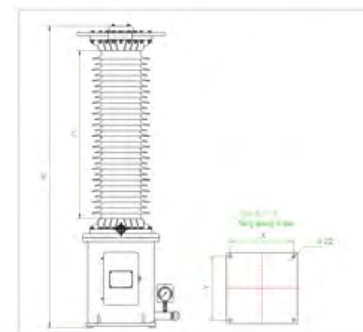
SF6 Insulation Inductive Voltage Transformer JDQXF Series

SF6电磁式电压互感器JDQXF系列



Technical Specification 主要参数	
Installation 安装方式	Outdoor
Design 型式	Inductive type
Inside insulation 绝缘介质	SF6
Highest voltage 最高运行电压	123-245 kV
Voltage factor (VI) 电压系数	Up to 1.9/8 hrs
Outside Insulation 外绝缘	Porcelain
Creepage distance 爬电比距	≥25 mm/kV (Longer on request)
Ambient temperature 环境温度	-40℃ to +40℃ (others on request)
Design altitude 海拔高度	2000 m (others on request)

Model	H1	H2	H3	X*Y	Weight(kg)
JDQXF123/145	1150	2083	2010	440*440	450
JDAXF245	2250	3550	3500	660-660	650



GIS PT

GIS 配用电压互感器



Technical Specification 主要参数	
Installation 安装方式	Outdoor
Design 型式	Inductive type
Outside insulation 外部绝缘	SF6
Highest voltage 最高运行电压	72.5-550 kV
Voltage factor (VI) 电压系数	Up to 1.9/8 hrs
Ambient temperature 环境温度	-25℃ to +40℃ (others on request)
Dimension 外观尺寸	On your request

Main Product Introduction

产品介绍



Power Capacitor

电容器



High-voltage Shunt, Filter, Serial and Direct Current Capacitors

高压并联、滤波、串联、直流电容器

Voltage Grade: 10-25kV

Rated capacity: 200, 334, 417, 500, 667, 800, 1000kvar

电压等级: 10-25kV

额定容量: 200, 334, 417, 500, 667, 800, 1000kvar



High-voltage Shunt, Filter, Serial Capacitors Complete Installation

高压并联、滤波、串联电容器成套装置

Voltage Grade: 10, 20, 35, 66, 110, 220, 500, 750, 1000kV

Rated capacity: 1000-60000kvar

电压等级: 10, 20, 35, 66, 110, 220, 500, 750, 1000kV

成套装置容量: 1000-60000kvar



Assembling Type High Voltage Shunt Capacitor

集合式高压并联电容器

Voltage Grade: 6-10kV

Rated capacity: 1000-10000kvar

电压等级: 6-10kV

额定容量: 1000-10000kvar

Power Reactor

电抗器



BKS Series Oil-immersed Iron-core Shunt Reactor (Outdoor)

BKS系列油浸式铁心并联电抗器

The reactor is connected in parallel in power supply system to compensate the capacitive power and restrain the power frequency over voltage and operating over voltage.

Rated Voltage: 6kV-66kV

Rated power: 1000kvar-60000kvar

在高压送电输电系统中，并联在变压器的低压绕组上。

用于补偿线路的容性充电无功功率，限制系统过电压，保证线路可靠运行。

安装地点：户外

电压等级：6kV-66kV

电抗器容量范围：1000kvar-60000kvar



BKSC Series Epoxy Resin Iron-core Shunt Reactor (Indoor)

BKSC系列环氧浇注铁心并联电抗器

The reactor is connected in parallel in power supply system to compensate the capacitive power and restrain the power frequency over voltage and operating over voltage.

Rated Voltage: 6kV-35kV

Rated power: 1000kvar-30000kvar

并联电抗器用于补偿电力系统容性充电无功功率，限制系统工频电压的升高和操作过电压，保证线路的可靠运行。

电压等级：6kV-35kV

电抗器容量范围：1000kvar-30000kvar



CKSC Series Epoxy Resin Iron-core Serial Reactor (Damping reactor, Indoor)

CKSC系列环氧浇注铁心串联电抗器

The reactor (Damping reactor) are series connected with the shunt capacitor banks to limit the current impulse and voltage resonance, ensure the reliability and stability of the power supply system.

Rated Voltage: 6kV-35kV

Matching Capacitive power capacity: 1000kvar-24000kvar

串联电抗器用于电力系统并联电容器回路中，它与电力系统并联电容器相串联，用于限制电容器投、切过程中的涌流。

抑制电网电压波形畸变和控制流过电容器的谐波分量，消除谐波对电容器的损伤，保证电力系统的可靠运行。

电压等级：6kV-35kV

匹配电容器容量范围：1000kvar-24000kvar



Earthing Transformer

接地变压器



Dry-type Earthing Transformer

干式接地变压器

Voltage Grade: 6.3kV-38.5kV
Rated power: 100-3300kVA

电压等级: 6.3kV-38.5kV
额定容量: 100-3300kVA



Oil-immersed Earthing Transformer

油浸式接地变压器

Voltage Grade: 6.3kV-38.5kV
Rated power: 100-4400kVA

电压等级: 6.3kV-38.5kV
额定容量: 100-4400kVA

Dissolved Gas Analyzer

油色谱在线监测装置



Trom-600 Dissolved Gas Analyzer

TROM-600 油色谱在线监测系统

Integrated with control, measurement and analysis technologies, TROM-600 chromatography on-line monitoring system can detect the consistency and trend of all gases dissolved in insulation oil accurately and timely; these gases include hydrogen (H₂), carbon monoxide (CO), carbon dioxide (CO₂), methane (CH₄), ethane (C₂H₆), ethylene (C₂H₄), and acetylene (C₂H₂). Also we could detect the oxygen and humidity according to the customer's requirement.

TROM-600油色谱在线监测系统是集控制、测量和分析技术于一体的精密设备。对变压器等油浸电力设备进行在线监测，并在第一时间检测出绝缘油中溶解的各种故障特征气体：氢气、一氧化碳、二氧化碳、甲烷、乙烷、乙烯、乙炔等。根据用户需求还可以定制氧气、微水等的在线监测。

Arc Suppression Coils

消弧线圈



Dry-type Tap-change Arc Suppression Coil (Peterson Coil)

调匝式消弧线圈

System voltage: 6.3kV-38.5kV
Rated power: 100-3300kVA

电压等级: 6.3kV-38.5kV
额定容量: 100-3300kVA



Oil-immersed Tap-change Arc Suppression Coil (Peterson Coil)

调匝式消弧线圈

System voltage: 6.3kV-66kV
Rated power: 100-4400kVA

电压等级: 6.3kV-66kV
额定容量: 100-4400kVA



Adjustable Capacitive-based Arc Suppression Coil (Peterson Coil)

调容式消弧线圈

System voltage: 6.3kV-38.5kV
Rated power: 100-3300kVA

电压等级: 6.3kV-38.5kV
额定容量: 100-3300kVA



Adjustable Capacitive-based Arc Suppression Coil (Peterson Coil)

调容式消弧线圈

System voltage: 6.3kV-38.5kV
Rated power: 100-4400kVA

电压等级: 6.3kV-38.5kV
额定容量: 100-4400kVA



Arc Suppression Coils

消弧线圈



Thyristor Phase-controlled Arc Suppression Coil (Peterson Coil)

相控式消弧线圈

Voltage Grade: 6.3kV-38.5kV
Rated power: 100-4400kVA
电压等级: 6.3kV-38.5kV
额定容量: 100-4400kVA



Oil-immersed Thyristor Phase-controlled Arc Suppression Coil (Peterson Coil)

相控式消弧线圈

Voltage Grade: 6.3kV-66kV
Rated power: 100-4400kVA
电压等级: 6.3kV-66kV
额定容量: 100-4400kVA



Arc Suppression Coil (Peterson Coil) Complete with Automatic Tuning and Fault-Line Selection (Outdoor)

消弧线圈自动调谐及接地选线成套装置(户外)



Arc Suppression Coil (Peterson Coil) Complete with Automatic Tuning and Fault-Line Selection (Indoor)

消弧线圈自动调谐及接地选线成套装置(户内)

Serial Resonant High Voltage Testing Equipment

串联谐振耐压试验装置



10kW Series Testing Equipment

10kW变频电源试验系统

Rated input voltage:single phase AC 220V \pm 10%
Rated output voltage range: AC 0-200kV
Rated output current range: AC 0-10A
Output resonant voltage wave:sine wave
Distortion rate: \leq 1%
Quality factor: Q \geq 30;
Output frequency: 20-400Hz;
Frequency adjust space: 0.01Hz;
Instability rate: $<$ 0.01%
Insulation level: 1 minute under 1.2 times of Rated Voltage
Application: withstand voltage testing for 10kV/35kV cable, power transformer with small equal capacitance

额定输入电压: 单相交流220V \pm 10%
额定高压输出电压调节范围: 交流0-200kV
额定高压输出电流范围: 交流0-10A
输出谐振电压波形: 正弦波波形
输出畸变率: \leq 1%
品质因数: Q值 \geq 30
输出频率: 20-400Hz
频率调节精度 0.01Hz
不稳定性 $<$ 0.01%
绝缘水平: 1.2倍额定电压下耐压1min
主要用途: 10kV电缆、35kV电缆及主变等小电容量试品的交流耐压试验



20kW Series Testing Equipment

20kW变频电源试验系统

Rated input voltage: three phase AC 380V \pm 10%
Rated output voltage range: AC 0-400kV
Rated output current range: AC 0-30A
Output resonant voltage wave: sine wave
Distortion rate: \leq 1%
Quality factor: Q \geq 30;
Output frequency: 20-400Hz;
Frequency adjust space: 0.01Hz;
Instability rate: $<$ 0.01%
Insulation level: 1 minute under 1.2 times of Rated Voltage
Application: withstand voltage testing for 10kV/35kV cable, power transformer, GIS etc with small equal capacitance

额定输入电压: 三相交流380V \pm 10%
额定输出电压调节范围: 交流0-400kV
额定高压输出电流范围: 交流0-30A
输出谐振电压波形: 正弦波波形
输出畸变率: \leq 1%
品质因数: Q值 \geq 30
输出频率: 20-400Hz
频率调节精度 0.01Hz
不稳定性 $<$ 0.01%
绝缘水平: 1.2倍额定电压下耐压1min
主要用途: 10kV电缆、25kV电缆、GIS及主变等小电容量试品的交流耐压试验



Serial Resonant High Voltage Testing Equipment

串联谐振耐压试验装置

50 ~ 400kW Seres Testing Equipment

50 ~ 400kW变频电源试验系统

Rated input voltage: three phase AC 380V \pm 10%
 Rated output voltage range: 0 ~ 1500kV
 Rated output current range: 0 ~ 200A
 Output resonant voltage wave: sine wave
 Distortion rate: \leq 1%
 Output factor Q: 50 ~ 150
 Output frequency: 20 ~ 400Hz
 Frequency adjust space: 0.01Hz
 Instability rate: $<$ 0.01%

额定输入电压: 三相交流380V \pm 10%
 额定输出电压调节范围: 交流0 ~ 1500kV
 额定高压输出电流范围: 交流0 ~ 200A
 输出电压波形: 正弦波波形
 输出畸变率: \leq 1%
 品质因数: Q值50 ~ 150
 输出频率: 20 ~ 400Hz
 频率调节精度: 0.01Hz
 不稳定率: $<$ 0.01%



Power Electronics Application

大功率电力电子应用设备

Cascade STATCOM/SVG for Medium Voltage Dynamic VAR Compensation and Harmonic Elimination

链式结构高压动态无功补偿及谐波治理装置

Rated Voltage: 3kV ~ 35kV
 Rated capacity: 3kV/0.6Mvar ~ 35kV/100Mvar
 Loss: $<$ 1% (rated capacity)
 Step response time: $<$ 10ms

额定电压: 3kV ~ 35kV
 额定输出容量: 3kV/0.6Mvar ~ 35kV/100Mvar
 运行损耗: $<$ 1% (装置额定容量)
 阶跃响应时间: $<$ 10ms



Power Electronics Application

大功率电力电子应用设备

STATCOM/SVG for Low Voltage Dynamic VAR Compensation and Harmonic Elimination

低压动态无功补偿及谐波治理装置

Rated Voltage: 220V ~ 690kV
 Rated capacity: 30kvar ~ 300kvar (Extendable via parallel connection)
 Loss: $<$ 3% (rated capacity)
 Step response time: $<$ 1ms

额定电压: 220V ~ 690kV
 额定输出容量: 30kvar ~ 300kvar (可通过并联扩容)
 运行损耗: $<$ 3% (装置额定容量)
 阶跃响应时间: $<$ 1ms



Active Power Filter (APF)

有源电力滤波装置 (APF)

Rated Voltage: AC220V/380V/480V/690kV
 Rated capacity: 20A, 30A, 50A, 120A, 150A, 200A, 300A, 450A (Extendable via parallel connection)
 Loss: $<$ 3% (rated capacity)
 Step response time: $<$ 1ms
 Harmonic order can be eliminated: 2nd ~ 50th harmonic
 Harmonic elimination ratio: $>$ 97%

额定电压: AC220V/380V/480V/690kV
 额定容量: 20A, 30A, 50A, 120A, 150A, 200A, 300A, 450A (可通过并联扩容)
 运行损耗: $<$ 3% (装置额定容量)
 阶跃响应时间: $<$ 1ms
 谐波滤除次数: 2 ~ 50次谐波
 谐波滤除率: $>$ 97%



Main Product Introduction

产品介绍



Digital Technical Substation Automation Equipment

数字化变电站设备

Digital Technical Substation Automation Equipment

数字化变电站设备



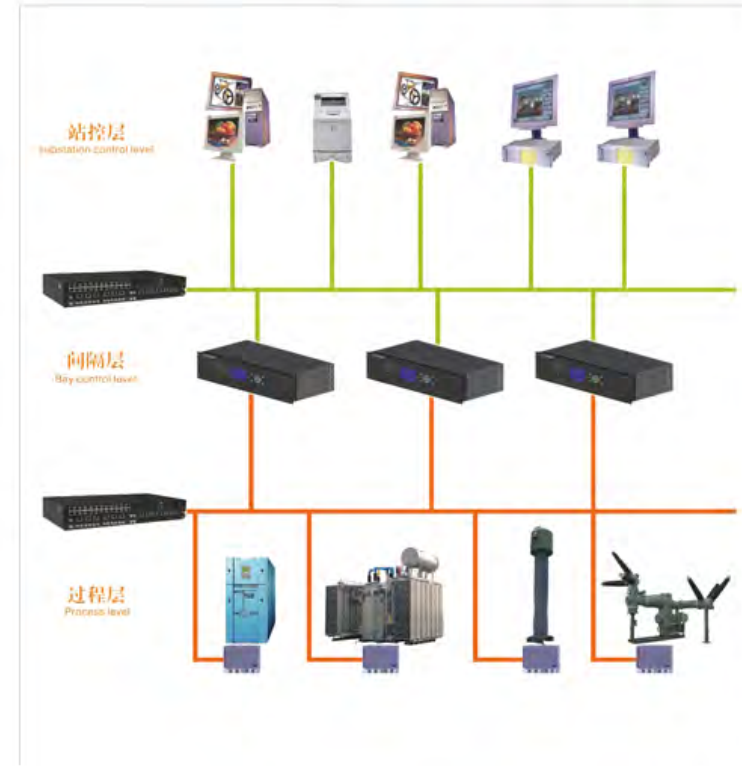
RSS 2008 Series Protection Emulation Analyzing System
RSS2008系列保护仿真分析系统



PDR 2008 Series Dynamic Recording and Emulation Analyzing System
PDR2008系列电力系统动态记录及仿真分析系统

Equipment Configuration of Digital Substation

数字化变电站设备配置图

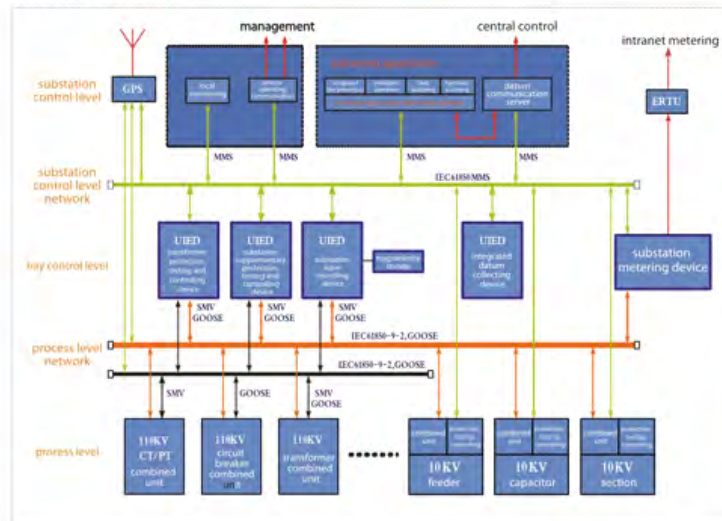


Digital Technical Substation Automation Equipment

数字化变电站设备

Network Structure of Digital Substation

数字化变电站网络结构图



产品应用 Product Application



为全球电力、煤炭、石化、冶金、铁道等行业提供 优质输配电产品及系统解决方案。

We provide customers of electric power, metallurgical, petrochemical, coal mine, railway industries with perfect T&D products and comprehensive solution all over the world.



现场服务 Site Service



项目: 上海世博会220KV变电站
时间: 2008年12月
产品: 动态无功补偿装置
型号: QNSVG-3/10
制造: 思源清能电气电子有限公司
Project: Shanghai World Expo 220KV Mengzi Substation
Time: Dec 2008
Product: STATCOM/SVG
Type: QNSVG-3/10
Manufacturer: Sieyuan Qingheng Power Electronic Co., Ltd.



项目: 北京2008年奥运工程水上公园站
时间: 2008年3月
产品: 消弧线圈自动调谐成套装置
型号: XHK-II
制造: 思源电气第一分公司
Project: Beijing Olympic Games Aquatic Park Substation
Time: Mar 2008
Product: Peterson coil installation with automatic tuning
Type: XHK-II
Manufacturer: No. 1 Subsidiary Company



项目: 中石化新疆独山子千吨烷烃抽提工程
时间: 2007年3月
产品: 消弧线圈自动调谐成套装置
型号: XHK-IIB-NX
制造: 思源电气第一分公司
Project: SINOPEC Xinjiang Dushanzi Oil Refining Project
Time: Mar 2008
Product: Peterson coil installation With Automatic Tuning
Type: XHK-IIB-NX
Manufacturer: No. 1 Subsidiary Company



项目: 云广±800KV特高压直流输电换流站
时间: 2007年12月
产品: 并联电容器补偿成套装置
型号: TBB525-301824/524AQW
制造: 上海思源电力电容器有限公司
Project: Yun-Guang ±800KV Ultra High Voltage DC Transmission Project Suidong Converter Substation
Time: Dec 2007
Product: Shunt Power Capacitor Installation
Type: TBB525-301824/524AQW
Manufacturer: Shanghai Sieyuan Power Capacitor Co., Ltd.



项目: 神华集团神东大柳塔五当沟煤炭项目
时间: 2008年9月
产品: 动态无功补偿装置
型号: QNSVG-5000/10
制造: 思源清能电气电子有限公司
Project: Shenhua Group Shendong Daluota Wudangou Coal Mine Project
Time: Sep 2008
Product: STATCOM/SVG
Type: QNSVG-5000/10
Manufacturer: Sieyuan Qingheng Power Electronic Co., Ltd.



项目: 中钢钢铁有限公司110KV变电站
时间: 2008年10月
产品: 气体绝缘全封闭组合电器
型号: ZFW28-126/2500A-40KA
制造: 上海思源高压开关有限公司
Project: Zhongpu Steel Works 110KV Substation
Time: Oct 2008
Product: 110KV GIS
Type: ZFW28-126/2500A-40KA
Manufacturer: Shanghai Sieyuan High Voltage Switchgear Co., Ltd.

社会交流 Social Communication



国务院副总理李鹏来访我司
Vice Prime Minister of the State Council visited Sieyuan in 1983



思源电气董事长会见墨西哥参赞
Chairman of Sieyuan met with the Counselor of Mexico



苏丹皇家电力公司客户参观思源电气如皋生产基地
Sudan NEC visited Sieyuan



思源电气人力资源合作伙伴美国HAY集团
Strategic cooperation with Hay Group



古巴客户参观思源电气高压开关车间
EPC contractor from Cuba visited Sieyuan



希腊客户参观思源电气SF6断路器装配车间
Customer from Greece had an inspection in Sieyuan

项目业绩

Project Achievements



**接地变压器.
消弧线圈成套设备位居第一**
No.1 for Earthing Transformer and Peterson Coil complete Solution

高压开关类产品位居前三
Top 3 for High Voltage Switchgear Equipments

高压互感器类产品位居前三
Top 3 for High Voltage Instrument Transformer products

串谐耐压装置位居第一
No.1 for Serial Resonant High Voltage Testing Instruments

国内市场份额
Domestic Market Share

电力电容器产品位居前三
Top 3 for Power Capacitor

油色谱在线监测装置位居前三
Top 3 for DGA Online Monitoring Devices

项目业绩 Project Achievements

▲表示已设立海外办事处
▲ Overseas Offices



国外典型项目业绩

Overseas Representative achievements

国内典型项目业绩

Domestic Representative Achievements



LVB-550 油浸式电流互感器在浙江省电力公司运行
LVB-550 Oil Immersed CT in Zhejiang Province



LVOB-550 气体绝缘式电流互感器在江苏省电力公司运行
LVOB-550 SF6 Insulated CT in Jiangsu Province



TBB525-301824/S24ACW 并联补偿电容器在±800KV特高压换流站运行
TBB525-301824/S24ACW Shunt Capacitor Installation for ±800KV Ultra-high Voltage Converter Substation in Guangdong Province



BKS-60000/35 油浸并联在安徽省电力公司运行
BKS-60000/35 Shunt Reactor in Anhui Province



QNSVG-5000Q/10 动态无功补偿装置在上海电力公司运行
QNSVG-5000Q/10 SVG in Shanghai Power Company



TROM-600 油色谱在线监测装置在江苏省电力公司运行
TROM-600 DGA in 500kV Substation Jiangsu Province



LVOB-550 气体绝缘式电流互感器出口菲律宾国家电网公司
LVOB-550 SF6 Current Transformer Exported to Philippine NTC



LW36-72.5 SF6 断路器在马达加斯加运行
LW36-72.5 SF6 Circuit Breaker in Madagascar



LW36-40.5SF6 断路器产品出口至意大利和希腊
LW36-40.5SF6 Circuit Breaker Exported to Armenia



BKS-15000/11 油浸并联在苏丹国家电力公司运行
BKS-15000/11 Shunt Reactor in Sudan NEC



ZFW28-126 GIS出口越南顺光
ZFW28-126 GIS for Duong Binh Quynh of Vietnam