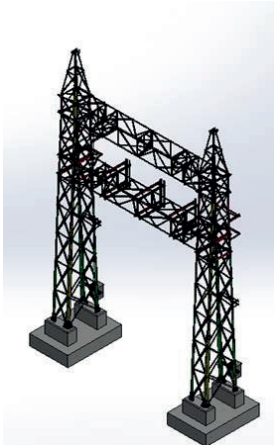


HARDWARE & ACCESSORIES

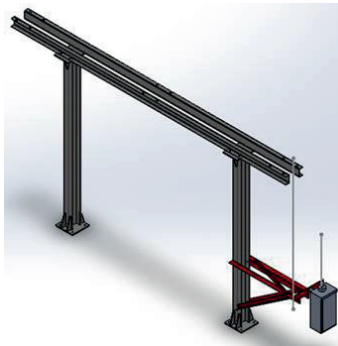
Substation Supporting Structure



Take off double beam



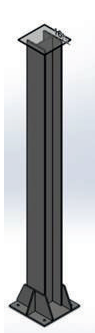
Take off single beam



Earthing switch structure



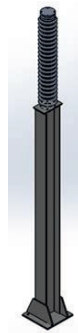
Disconnecting switch structure



Surge arrester structure



CT structure



Bus support structure



Operating platform structure

D